

# Ecophon Wall Panel™ C



For use as vertical absorbers together with, or instead of a sound absorbing ceiling, to achieve excellent acoustic properties in the room, particularly in larger areas. Ecophon Wall Panel C has a concealed grid and the bevelled edges create a narrow groove between each panel. The system provides extensive design possibilities. The panels are demountable.

## SYSTEM AND PRODUCT DESCRIPTION

The system consist of Ecophon Wall Panel C panels and Ecophon Connect grid systems, with an approximate weight of 5 kg/m<sup>2</sup>. The panels are manufactured from high density glass wool. The visible surface has a glass fibre fabric (Texona) or a strong glass fibre fabric (Super G), and is also available in Akutex T coating (white). The back of the panels is covered with glass tissue. The edges are painted, and the front surface is partly covering the long edges. The profiles are manufactured from extruded aluminium.

## SYSTEM RANGE

Size, mm	2700 X 600
WP profile	•
Thickness	40
Inst. diagr.	m196 m195



Wall Panel C



Section of Wall Panel C System



Wall Panel C system with Connect WP profile and external corner



Wall Panel C system with Connect WP profile and internal corner

**ACCESSIBILITY:** The panels are demountable, if installed without splines.

**CLEANABILITY:** Daily dusting and vacuum cleaning. Weekly wet cleaning (Super G and Akutex T surface). Weekly dusting and vacuum cleaning (Texona surface).

**LIGHT EFFICIENCY:** Wall Panel in white has high light reflectance. Light reflectance and nearest NCS colour sample for all the different colours: See Ecophon Colour Range.

**INFLUENCE OF CLIMATE:** The panels withstand a permanent ambient RH up to 95% at 30°C (Super G and Akutex T surface) and RH up to 75% at 30°C (Texona surface) without sagging, warping or delaminating (EN 13964). Thermal resistance for the panels,  $R_p = 1,0 \text{ m}^2\text{C/W}$ . Since a wall absorber mounted on an external wall serves as additional insulation, the need for vapour barrier should be investigated.

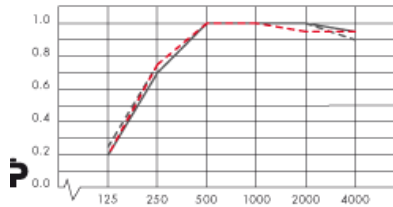
**INDOOR CLIMATE:** Certified by the Indoor Climate Labelling, recommended by the Swedish Asthma and Allergy Association.

**ENVIRONMENTAL INFLUENCE:** Granted the Nordic Swan eco-label. Fully recyclable.

## ACOUSTICS:

**SOUND ABSORPTION:** Test results according to EN ISO 354. Classification according to EN ISO 11654, and the single value ratings for NRC and SAA according to ASTM C 423.  
**SOUND INSULATION:** Not applicable.  
**SOUND PRIVACY:** AC=240 according to ASTM E 1376 and E 1110.

$\alpha_p$  Practical sound absorption coefficient



Frequency, Hz

--- Ecophon Wall Panel C/Texona 40 mm o.d.s.

--- Ecophon Wall Panel C/Super G 40 mm o.d.s.

— Ecophon Wall Panel C/Akutex T 40 mm o.d.s.

o.d.s = overall depth of system

Product	Wall Panel C/Akutex T	Wall Panel C/Super G	Wall Panel C/Texona
O.d.s. mm	40	40	40
Absorption class	A	A	A
NRC	0.95	1	0.95
SAA	0.98	0.97	0.94

**FIRE SAFETY:** Reaction-to-fire classifications.

Country	Standard	Class
UK	BS 476 Parts 6&7	Class 0
Europe		

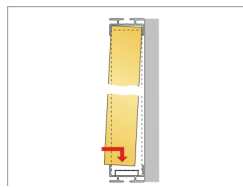
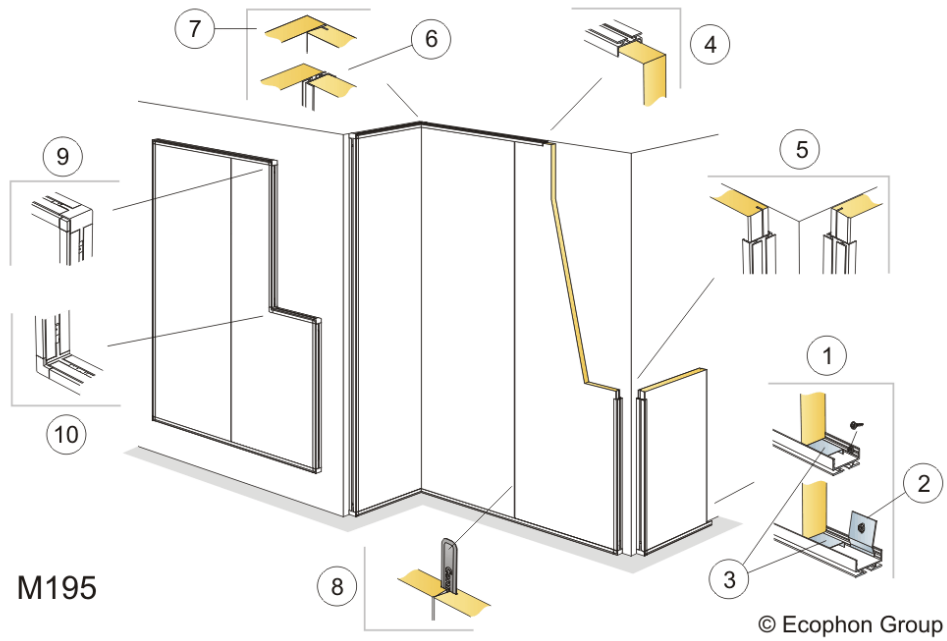
The glass wool core of the panels is tested and classified as non-combustible according to EN ISO 1182.

**MECHANICAL PROPERTIES:** The Wall Panel C/Super G system has been tested according to EN 13964 annex D and DIN 18 032 part 3 and fulfils the demands corresponding to class 1A. Please note: Where the panels are subjected to frequent blows and impacts e.g. behind an indoor goal mouth, it will be necessary to add some protection in the form of restraining nets or wooden slats. Texona surface has moderate impact resistance.

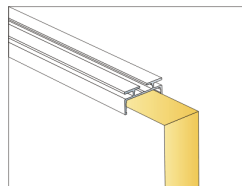
**INSTALLATION:** Installed according to installation diagram M195 (vertical installation), or M196 (horizontal installation). Wall Panel with Akutex T surface should be installed out of reach.

www.ecophon.co.uk, CADsupport, Product selector, Specification, Maintenance manual

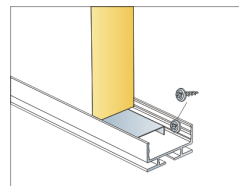
# INSTALLATION DIAGRAM (M195) FOR WALL PANEL C VERTICAL INSTALLATION



Detail of installation



Detail of upper connection

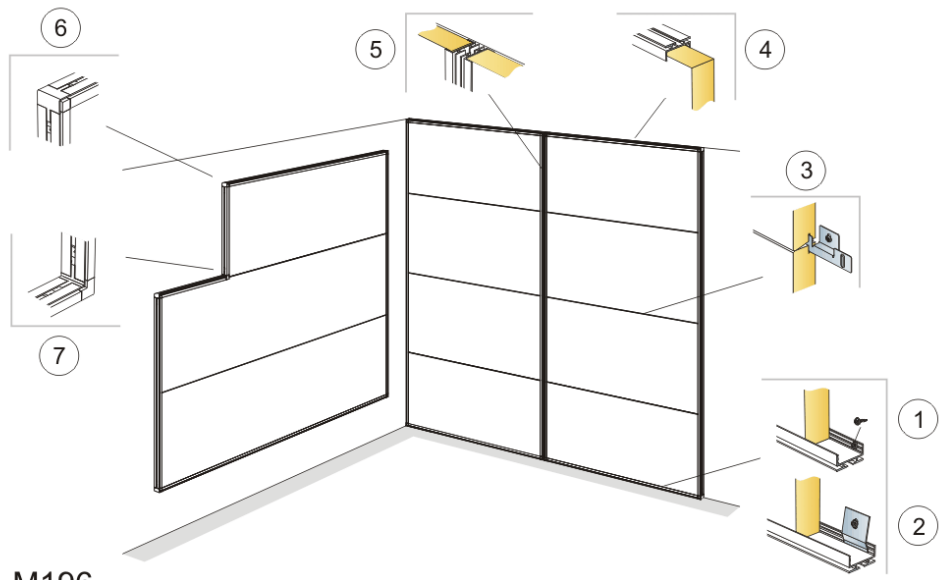


Detail of lower connection

## Quantity specification (excl. wastage)

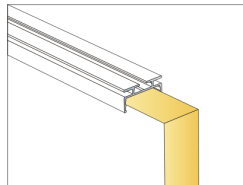
	<b>Size, mm</b>
Wall Panel C	2700x600
1 Connect WP Profile, L=2687 mm, fixed (alt. with Connect Fixing bracket 0214) at 400 mm centres, with Connect WP Space bar 1050, L=2400 mm	0.62/m <sup>2</sup>
2 Connect Fixing bracket 0214 at 400 mm centres.	as required
3 Connect WP Space bar 1050, L=2400 mm	as required
8 Joint between panels (Connect Spline 0219 can be used to secure the panels)	as required

# INSTALLATION DIAGRAM (M196) FOR WALL PANEL C HORIZONTAL INSTALLATION

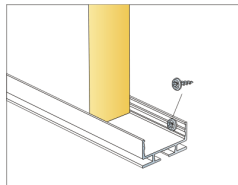


M196

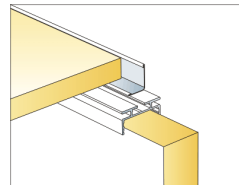
© Ecophon Group



Detail of upper connection



Detail of lower connection



Detail of junction to acoustic ceiling

## Quantity specification (excl. wastage)

Size, mm

	2700x600
Wall Panel C	0.62/m <sup>2</sup>
1 Connect WP Profile, L=2687 mm, fixed (alt. with Connect Fixing bracket 0214) at 400 mm centres	m/m <sup>2</sup>
2 Connect Fixing bracket 0214 at 400 mm centres.	as required
3 Horizontal joint between panels: Connect Fixing plate 0299 is mounted at 500 mm centres	3.3/m <sup>2</sup>
5 Vertical joint between panels: Connect WP Profile, L=2687 mm, fixed at 400 mm centres	0.14 m/m <sup>2</sup>